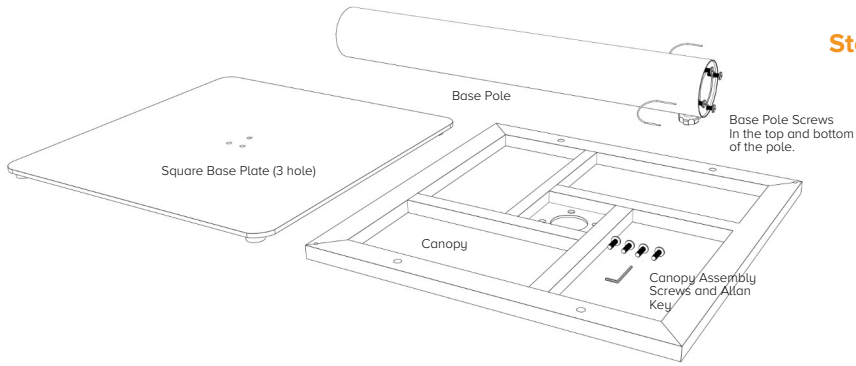


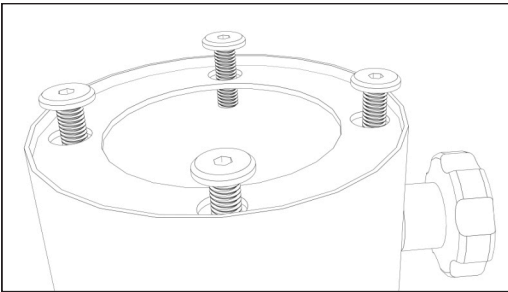
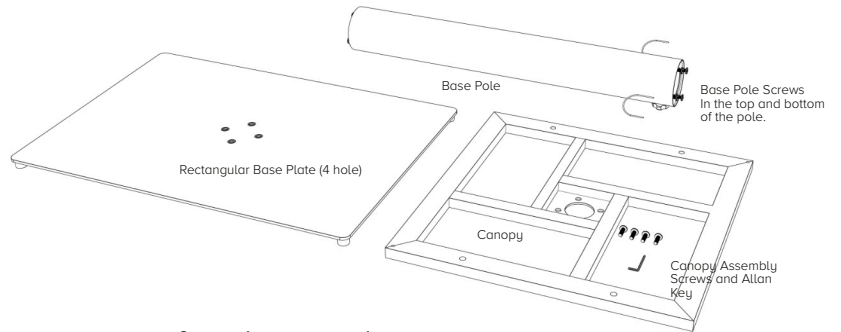
Resinwood Umbrella Table Assembly Guide



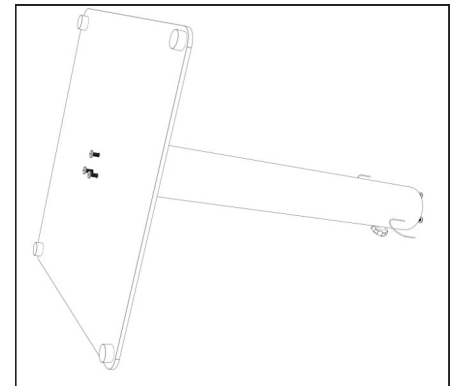
Step 1 Account for pieces and parts provided.

Note that the canopy may be packed inside the outdoor top packaging (either loose or screwed to the top) and will have to be removed before assembly of the base.

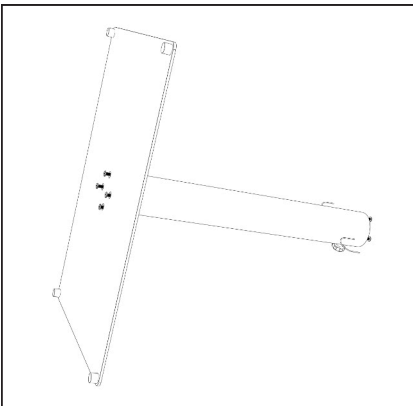
Step 1A Alternate pieces for 32x48 table base. This base will have 4 screws on the floor plate matching up to the 4 screws on the bottom of the pole.



Step 2 Remove screws from the top and bottom of the pole.

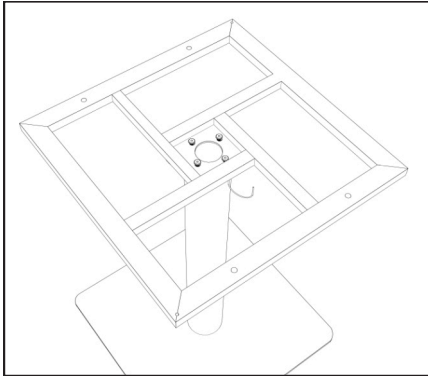


Step 3 Tilt the base against your body and hold the pole against the top of the plate (opposite the feet). Align screws and screw in 3 of them about half way. Make sure the flat side of the base aligns with the flat edge of the bar (if the bar is square). Tighten screws with allen key once all screws are in place.



Step 3A For the 32x48 Table - Tilt the base against your body and hold the pole against the top of the plate (opposite the feet). Align screws and screw in 4 of them about half way. Make sure the flat side of the base aligns with the flat edge of the bar (if the bar is square). Tighten screws with allen key once all screws are in place.

Resinwood Umbrella Table Assembly Guide

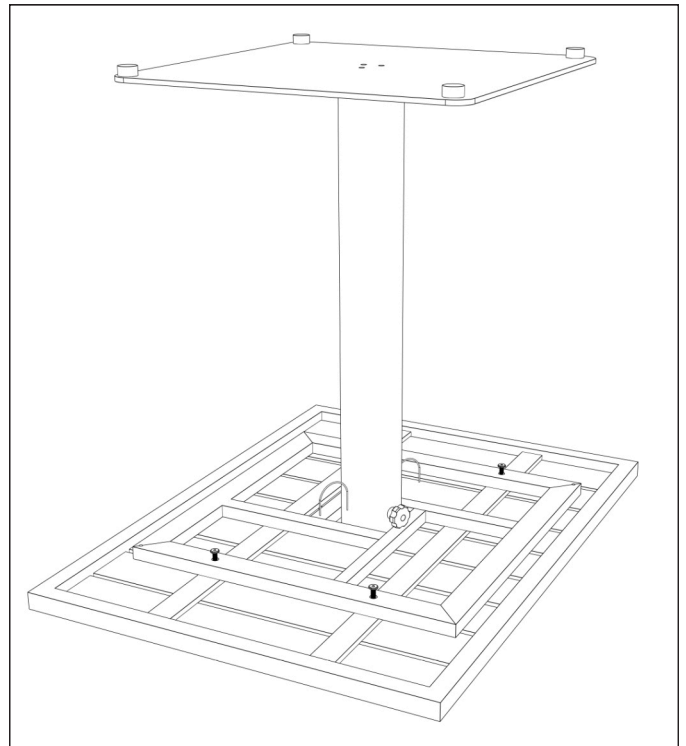


Step 4 Set base end down on the floor on a soft surface to avoid damage to the top. Place the canopy on top with the indented screw plate facing up. Make sure the flat edge of the base aligns with the flat side of the bar (if the bar is square). Align screws and screw in 4 of them about half way. Tighten screws with allen key once all screws are in place.

Step 5 (Outdoor Tables Only) Set top on the floor with underside facing up. Align holes to the strapping pieces. Screw in one screw (not tight) and align the other holes. Screw in the rest of the screws. Tighten well.

Note that the screws in the canopy may be tight and the canopy may have to be shifted to get the top holes to be accessible through the canopy holes.

Some canopy have holes in all four sides. If you find that the holes don't match up, turn the canopy 90 degrees and try again.



Our umbrella tables have two different types of connectors on the bottom. The 32 x 32 and smaller tables have 3 screws to connect with a square base plate. The 32x48 (and potentially larger) tables connect with a rectangular base plate. The rest of the pole is exactly the same.

